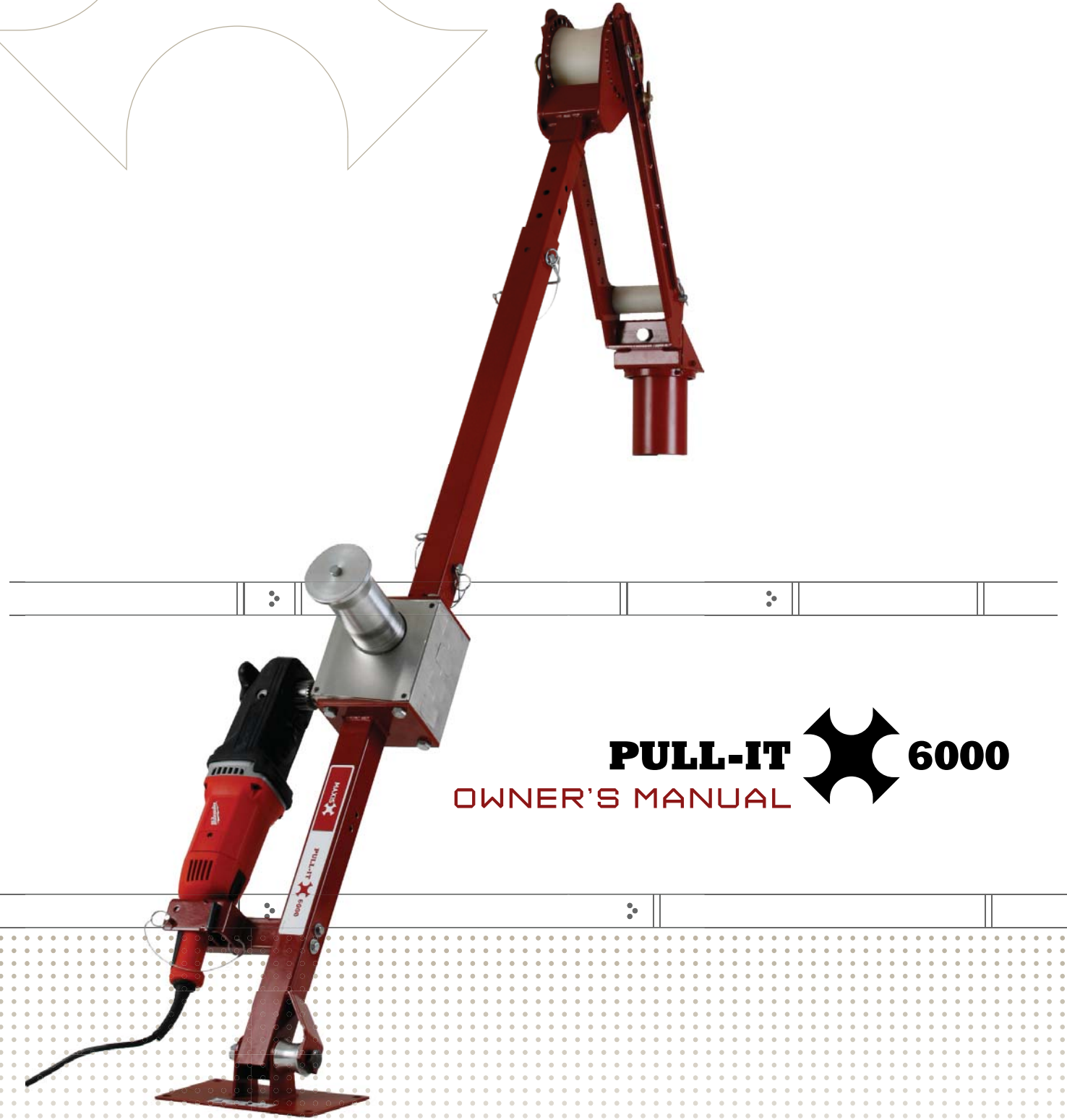
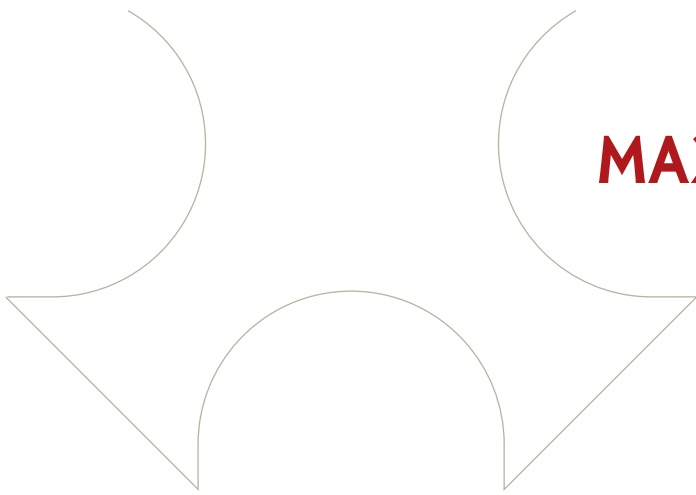


MAXIS 



PULL-IT  **6000**
OWNER'S MANUAL



BEFORE OPERATING THIS TOOL, READ AND UNDERSTAND ALL OF THE INSTRUCTIONS AND SAFETY INFORMATION IN THIS MANUAL



TABLE OF CONTENTS

Maxis Tools	2
Warning Labels	3
Safety and Precautions	4-5
Description of Operation, Identification.....	6
Set-up and Operation.....	7-8
Underground Pull.....	9
Overhead Pull.....	10
Pulling Out Extra Wire.....	11
Troubleshooting, Maintenance, Specs.....	12
Warranty	13

OTHER MAXIS TOOLS

MAXIS PULL-IT 3000X

This hard-working lightweight puller sets up in only minutes, operates at both 25ft. and 100ft. per minute and will pull up to 4,000 pounds. Best of all the Pull-It 3000X requires only one person to set up and operate.



MAXIS PULL-IT 1000

A lightweight puller intended for smaller jobs, will pull up to 1000 pounds at pulling speed of up to 60 ft. per minute, the affordable Pull-It 1000 offers one-man operation with efficient versatility.



MAXIS SPEEDSET

This four-in-one conduit tool will make short work of your gear and conduit installations. Save time and Money as you create repeatable perfect bends, prevent dogleg bends, and maintain spacing.



MAXIS MARKSMAN

This easy-to-use conduit tool is 60 times faster than a tape measure and will pinpoint a center knockout in seconds. It also features a panel schedule showing the branch circuit number and corresponding phase.



TRIPOD

Pulling wire out of the ground or a manhole is simple and easy with the Maxis Tripod. This Pull-It 3000X accessory easily attaches to the front end of the Pull-It 3000 and Pull-It 3000X.



ROPE

Composite, double braided, comes in 9/16" & 5/8" diameter in lengths of 300 and 600 feet.



POLEJACK

A better way to install, remove or maintain parking lot light poles.



TRIGGERS

Safety control by stopping the puller's power source by wireless remote from either the feeder or the puller's foot pedal.





SAFETY FIRST

Safety is essential in the use and maintenance of Maxis tools and equipment. This instruction manual and any markings on the tool provide information for avoiding hazards and unsafe practices related to the use of this tool. Observe all of the safety information provided.

SAFETY ALERT SYMBOLS This symbol is used to call your attention to hazards or unsafe practices that could result in injury or property damage. The three signal words, defined below, indicate the severity of the hazard. The message after the signal word provides information for preventing or avoiding the hazard.



DANGER

Immediate hazards that, if not avoided, **WILL** result in severe injury or death.



WARNING

Hazards that, if not avoided, **COULD** result in severe injury or death.



CAUTION

Hazards or unsafe practices that, if not avoided, **MAY** result in injury or property damage.

IMPORTANT SAFETY INFORMATION



WARNING

- Read and understand all instructions and safety information in this manual before operating or servicing this tool.
- Also read the instruction manual supplied with your drill before operating the Pull-It 6000.
- Failure to observe these warnings could result in severe injury or death.



WARNING - Personal Safety Hazards

- Only qualified persons should operate the Pull-It 6000.
- Wear eye protection and hard hat when using this tool.
- Do not use tool while tired or under the influence of drugs, alcohol, or medication.
- Keep body parts and loose clothing away from moving parts.
- Always follow operating procedures.
- Avoid accidental starting. Make sure switch is off before plugging in motor.

FAILURE TO OBSERVE THESE WARNINGS CAN RESULT IN SEVERE INJURY OR DEATH.



WARNING - Electric Shock Hazards

- Do not expose power tools to rain or wet conditions. Water entering a power tool can increase the risk of electric shock.
- Plug into a (GFCI) ground fault interrupted circuit outlet only.
- Use a 20 Amp 120 Volt extension cord no more than 100 feet in length.
- Maintain proper care of power cords. Do not use the cord to carry the tool or pull the plug from an outlet. Replace damaged cords immediately. Damaged cords can increase the risk of electric shock.
- Do not use this tool near live circuits. Shut off and lock out power when working near existing circuits.

FAILURE TO OBSERVE THESE WARNINGS CAN RESULT IN SEVERE INJURY OR DEATH.



IMPORTANT SAFETY INFORMATION (CONT'D)

WARNING - Entanglement Hazard

- Do not operate this tool while wearing loose-fitting clothing. Retain long hair.
- Keep hands away from the puller's capstan. Rope at the capstan can crush a hand.
- Turn off drill when wrapping rope on capstan.

FAILURE TO OBSERVE THESE WARNINGS CAN RESULT IN SEVERE INJURY OR DEATH.

WARNING – Tipping

- Use the same size adaptor with conduit. Lock adaptor under conduit nut. Disassemble when not in use.

FAILURE TO OBSERVE THESE WARNINGS CAN RESULT IN SEVERE INJURY OR DEATH.

WARNING – Tool Use Hazards

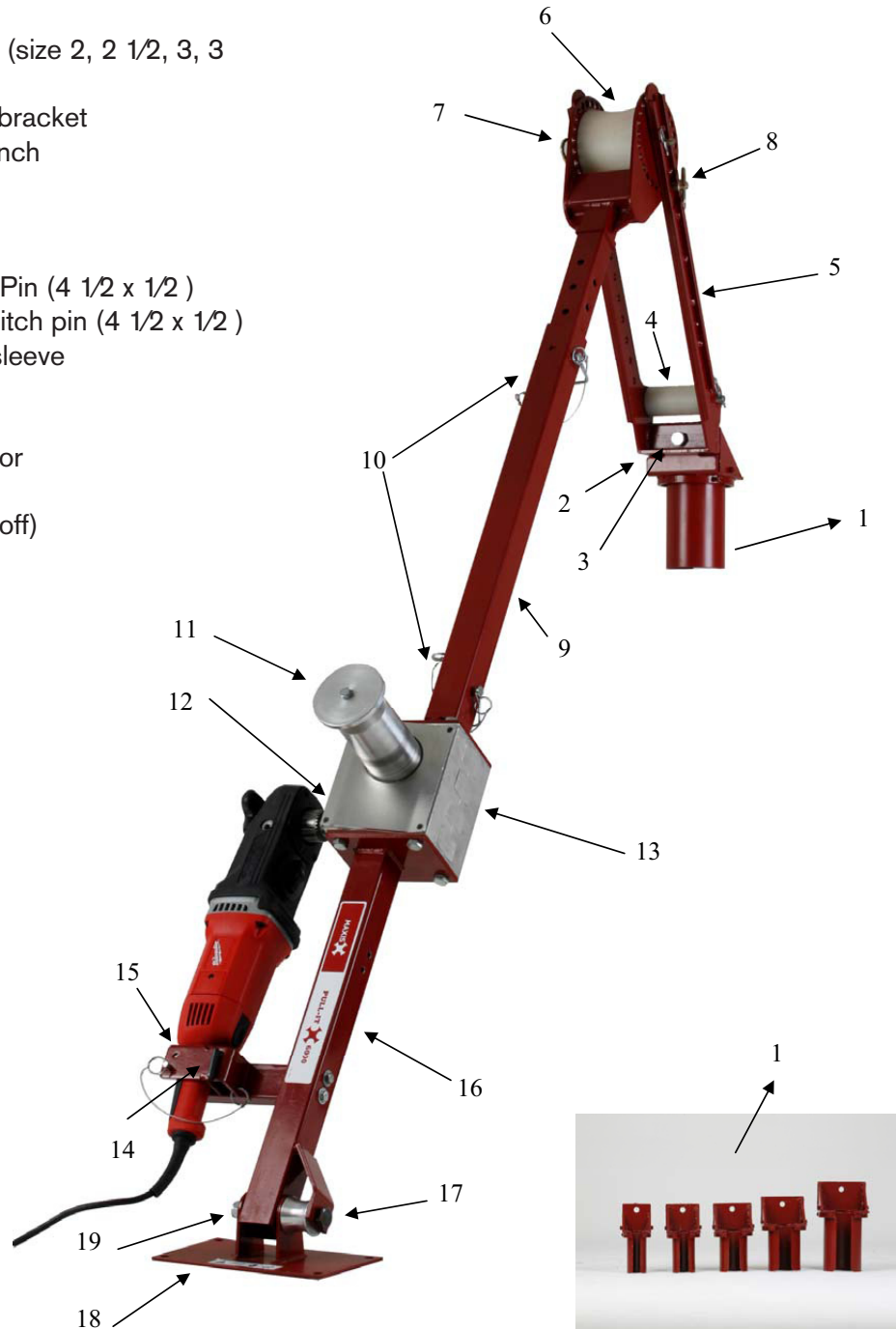
- Use this tool for manufacture's intended purpose only. Use other than that which is described in this manual can result in injury or property damage.
- Do not use nylon or polypropylene rope, extreme force can be stored when rope stretches.
- Inspect all aspects of the pull to ensure safety.
- Only qualified personnel should use pulling equipment.
- Do not use the cable puller as hoist or winch. The cable puller cannot lower a load. The load may fall and cause serious injury or death.

DESCRIPTION OF OPERATION

The Maxis Pull-It 6000 is a cable puller intended to pull medium to large wire (up to 750MCM) wire through conduit. It sets up in only minutes, operates at both 12 feet and 44 feet per minute and will pull up to 6,000 pounds not needing to bolt the puller to the ground. Best of all the Pull-It 6000 requires only one person to set up and operate.

IDENTIFICATION

1. Conduit Adaptors (size 2, 2 1/2, 3, 3 1/2, 4 inch)
2. Adaptor Housing bracket
3. Adaptor bolt 5/8 inch
4. Front Roller
5. Front Extension
6. Main Roller
7. Main Roller Hitch Pin (4 1/2 x 1/2)
8. Front Extension Hitch pin (4 1/2 x 1/2)
9. Adjustable outer sleeve
10. Clevis Pin
11. Capstan
12. Drill Chuck Adaptor
13. Gear Box
14. Switch Lever (on/off)
15. Drill Mount
16. Lower Fixed Leg
17. Lower Pulley
18. Base Plate
19. Base Plate Pin



SETUP AND OPERATION

PUTTING PULLER TOGETHER

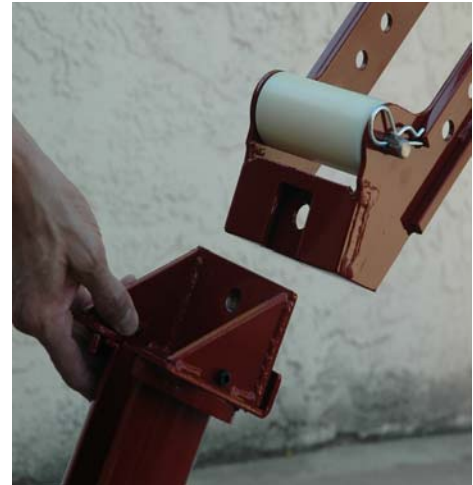
1. Always wear gloves and eye protection when working with pullers.
2. Remove gearbox assembly from the bag and lay on the ground.
3. Lay front extension assembly face down; remove clevis pins on extension assembly.
4. Slide 2" outer sleeve over gearbox assembly and reinstall clevis pin.
5. Slide drill in place over drill chuck adaptor and tighten all three holes of the chuck, (if this is not done the drill may slip on the shaft) Do not tighten just one chuck hole.
6. Pull-It 6000 was designed to be used with the Milwaukee Super Hawg drill®.
7. Set the desired speed.



ATTACHING CONDUIT ADAPTORS

Option 1

1. Remove 6 1/2 x 1/2" hitch pin on front extension (not the pin with the roller), swing front extension forward and install conduit adaptor (size 2, 1 1/2, 3, 3 1/2 and 4 inch). (Fig.1)
2. Secure with 5/8" bolt to hold in place. (Fig.2)
3. For difficult to reach conduit the bottom half of the adaptor can be removed by unscrewing the two side hex screws.



(Fig.1)



(Fig.2)

Option 2

1. Place desired conduit adaptor size into conduit. (Fig.3)
2. Tighten set screw. (Fig.4)
3. Slide front end extension onto adaptor. (Fig.5)
4. Secure with 5/8" bolt to hold into place. (Fig.6)



(Fig.3)



(Fig.4)



(Fig.5)



(Fig.6)

UNDERGROUND PULL

1. Assemble puller and attach correct size conduit adaptor.
2. Pivot Front Extension assembly as needed and reinsert pin.
3. Lift up front end and place conduit adaptor into conduit. Always make sure conduit adapter sits flush around the conduit you are pulling through.
4. Replace pin front assembly to lock all parts tight. (This must be pinned for the puller to operate properly and safely)
5. Hand tighten side set screws on the conduit adaptor to secure in place.
6. Do not stand inline with the rope being pulled (stand to the side of the puller) to avoid injury if the rope breaks.
7. Use proper lubricant for all your pulling jobs and the pull will be much smoother.
8. Loosely wrap rope around the cap-stan in a clockwise direction from the inside out. Start the electric drill by rotating the Pull-It 6000's switch lever. Pull on the rope to produce some tension. The rope will begin to advance.
9. Maintain tension on the rope.
 - The rope will slip on the capstan during normal operation. Keep the rope moving so that the capstan does not contact on spot on the rope for more than a few seconds. Otherwise, the rope will heat up quickly and it may break.
 - Do not exceed about 45 N (10 lbs) of tension on the rope. If the pull becomes difficult, add another wrap or two of rope to the capstan.
 - If excessive force becomes necessary, stop the pull and inspect the setup.



OVERHEAD PULLS

1. Assemble puller and attach correct size conduit adaptor.
2. To convert to overhead pulls remove front hitch pin on Front Extension and swing front extension straight out and re-pin.
3. Remove upper clevis pin from Adjustable Outer Sleeve, pull out Front Assembly and rotate 180°, slide Front Assembly back into outer sleeve and re-pin.
4. Shorten the adjustable outer sleeve then extend arm into desired conduit. Always make sure conduit adaptor sits flush around the conduit you are pulling through.
5. Pin Adjustable Outer Sleeve.
6. Tighten side conduit adaptor screws.
7. Thread rope under front roller and over main roller.
8. Do not stand inline with the rope being pulled (stand to the side of the puller) to avoid injury if the rope breaks.
9. Use proper lubricant for all your pulling jobs and the pull will be much smoother.
10. Loosely wrap rope around the capstan in a clockwise direction from the inside out. Start the electric drill by rotating the Pull-It 6000's switch lever. Pull on the rope to produce some tension. The rope will begin to advance.



11. Maintain tension on the rope.

The rope will slip on the capstan during normal operation. Keep the rope moving so that the capstan does not contact on spot on the rope for more than a few seconds. Otherwise, the rope will heat up quickly and it may break.

Do not exceed about 45 N (10 lbs) of tension on the rope. If the pull becomes difficult, add another wrap or two of rope to the capstan.

If excessive force becomes necessary, stop the pull and inspect the setup.

When the cable or wire comes over the roller, switch the electric drill off.

PULLING OUT EXTRA WIRE

1. When wire appears out of conduit and down pullers shaft, turn off dill motor.
2. Unwrap rope from capstan and extend rope around Lower Pulley then back up to capstan.
3. Wrap rope around the capstan in a clockwise direction from the inside out.
4. Continue wire pull until desired length is pulled out or until wire reaches Lower Pulley.

RECEIVER HITCH PULLS

1. Remove bottom pin from adjustable leg and remove front assembly from gear box section.
2. Remove base plate pin and remove base plate.
3. Slide base tube into trailer receiver hitch with the capstan facing upward.
4. Secure Pull-It 6000 to receiver hitch with base plate pin.





TROUBLE SHOOTING

1. Make sure capstan rotates in a clockwise rotation. If rotating in a counter clock rotation the drill motor is in reverse, turn off drill and switch the motor to the forward rotation.
2. Tighten all three chuck holes when attaching drill to chuck adaptor. Check drill chuck tightness before every pull.

MAINTENANCE

- Gearbox is filled with high temperature lubricating grease. No maintenance is required.
- Drill shaft is equipped with a six sided harden steel extension. If you chuck all three chuck holes you should not have slipping. If for any reason this shaft is warn down or stripped. Call your local distributor or Maxis for a replacement.

SPECIFICATIONS

Length (fully extended):	10 feet
Length disassembled:	40 inches
Width:	8 inches
Weight/Mass (w/o drill):	120 lbs.
Pulling Rope Minimum Average Breaking Strength:	18,000 lbs.
Pulling speed Low (Milwaukee Super Hawg®):	12 fpm
Pulling Speed High (Milwaukee Super Hawg®):	44 fpm
Recommended Pulling Rope size:	5/8 inch or larger
Patent Numbers:	Pending

LIMITED WARRANTY Pull-It 6000

Maxis Corporation (hereinafter Maxis) warrants all new Pull-It 6000's covered by this agreement, when properly used, to be free from defects in material and workmanship under normal use and service for which it is intended for a period of one year from date of delivery by the dealer. Date of delivery shall be the date product is placed in possession of the user. **NORMAL WEAR FROM USE IS NOT A PART OF THIS WARRANTY.**

This Limited Warranty is extended to the original user only and is not transferable to, nor enforceable by, any other person. Maxis will replace free of charge any part(s) of the product found to be defective when such part(s) is returned to Maxis at the address shown below, freight prepaid. If the part(s) is found to be defective, Maxis will refund freight charges paid by you in returning the defective part(s) and prepay replacement part(s) freight charges. Maxis will not be responsible for more than replacement of any defective part(s) and standard freight charges (parcel post or UPS Ground Rate) of any part(s) found to be defective.

THIS IS THE EXCLUSIVE REMEDY. MAXIS SHALL NOT BE RESPONSIBLE OR LIABLE FOR ANY INCIDENTAL OR CONSEQUENTIAL DAMAGES RESULTING FROM ANY DEFECTS COVERED BY THIS WARRANTY OR ANY IMPLIED WARRANTY APPLICABLE TO THE PRODUCT INCLUDING, BUT NOT LIMITED TO, PROPERTY DAMAGE, LOSS OF USE OF PRODUCT, LOSS OF TIME, LOSS OF PROFITS, INCONVENIENCE, COMMERCIAL LOSS, LABOR COSTS, SERVICE TRIPS AND MILEAGE.

Some states do not allow the exclusion or limitation of incidental or consequential damages, so the above limitation or exclusion may not apply to you. This warranty shall not apply to any product or part of any product which has been altered elsewhere than at the place of manufacture.

ANY IMPLIED WARRANTIES APPLICABLE TO THE PRODUCT, INCLUDING IMPLIED WARRANTIES OR MERCHANTABILITY AND FITNESS FOR A PARTICULAR PURPOSE, ARE EXPRESSLY LIMITED IN DURATION TO THE TERM OF THE WARRANTY (ONE YEAR FROM DATE OF DELIVERY).

Some states do not allow limitation on how long an implied warranty lasts, so the above limitation may not apply to you.

DEALER/DISTRIBUTOR WARRANTY CLAIM PROCEDURE

1. All warranty claims must be pre-approved by Maxis Corporation's Warranty Department PRIOR to starting any warranty work. Warranty work performed without prior approval will not be considered.
2. All claims must be handled through dealer/distributor.
3. Written approval must be received from Maxis before return of merchandise. A Return Authorization is to be returned with the merchandise which is sent back.
4. All parts must be returned to Maxis at the address shown below, freight prepaid.
5. The serial number of the product and the date of delivery must accompany the parts being returned.
6. If the part is found to have failed because of defect in material or workmanship, replacement will be made on a no-charge basis and the part returned, freight prepaid. Standard freight charges (parcel post or UPS Ground Rate) incurred in returning the defective part will be refunded.
7. For reasons of expediency, replacement and/or repair part may be shipped as soon as possible and billed to dealer/distributor. When part is returned, if it is covered under warranty, credit will be issued for part and freight charges.
8. All parts found to be defective shall be retained by and shall become the property of Maxis.

This warranty gives you specific legal rights, and you may also have other rights which vary from state to state.
Maxis Corporation

4838 E. Baseline
Ste. 131
Mesa, AZ 85206
Phone: 480-633-9113





4838 E. Baseline Ste. 131
Mesa, AZ 85206
Phone: 480-633-9113
Fax: 480-633-9114

www.maxis-tools.com