

# maxjax

Instruction Manual



**BEFORE OPERATING THIS TOOL, READ AND UNDERSTAND ALL OF THE INSTRUCTIONS AND SAFETY INFORMATION IN THIS MANUAL**



## TABLE OF CONTENTS

Maxis Tools .....	2
Warning Labels .....	3
Safety and Precautions .....	4
Description of Operation .....	5
Identification .....	5
Set Up and Operation.....	6
Maintenance.....	6
Specs.....	6
Warranty .....	7

	⋮		⋮	
--	---	--	---	--

## OTHER MAXIS TOOLS

### Maxis Pull-It 6000

Hard working light weight puller that sets up in only 2 minutes and pulls up to 6,000 lbs. It operates at both 12 ft. and 44 ft. per minute and best of all requires only one person to set up and operate. Making it the best puller for your large MCM wire pulls.



### Maxis Pull-It 3000X

This hard-working lightweight puller sets up in only minutes, operates at both 25ft. and 100ft. per minute and will pull up to 4,000 pounds. Best of all the Pull-It 3000X requires only one person to set up and operate.



### Maxis Pull-It 1000

A lightweight puller intended for smaller jobs, will pull up to 1000 pounds at pulling speed of up to 60 ft. per minute, the affordable Pull-It 1000 offers one-man operation with efficient versatility.



### Maxis SpeedSet

This four-in-one conduit tool will make short work of your gear and conduit installations. Save time and Money as you create repeatable perfect bends, prevent dogleg bends, and maintain spacing.



### Maxis Marksman

This easy-to-use conduit tool is 60 times faster than a tape measure and will pinpoint a center knockout in seconds. It also features a panel schedule showing the branch circuit number and corresponding phase.



### Tripod

Pulling wire out of the ground or a manhole is simple and easy with the Maxis Tripod. Available for the Pull-It 6000 and the Pull-It 3000X.



### Rope

Composite, double braided, comes in 9/16" and 5/8" diameter in lengths of 300 and 600 feet with a tensile strength of 14,000 and 18,000 lbs.





## SAFETY FIRST

Safety is essential in the use and maintenance of Maxis tools and equipment. This instruction manual and any markings on the tool provide information for avoiding hazards and unsafe practices related to the use of this tool. Observe all of the safety information provided.

**SAFETY ALERT SYMBOLS** This symbol is used to call your attention to hazards or unsafe practices that could result in injury or property damage. The three signal words, defined below, indicate the severity of the hazard. The message after the signal word provides information for preventing or avoiding the hazard.



### DANGER

Immediate hazards that, if not avoided, **WILL** result in severe injury or death.



### WARNING

Hazards that, if not avoided, **COULD** result in severe injury or death.



### CAUTION

Hazards or unsafe practices that, if not avoided, **MAY** result in injury or property damage.

## IMPORTANT SAFETY INFORMATION



### WARNING

- Read and understand all instructions and safety information in this manual before operating or servicing this tool.
- Also read the instruction manual supplied with your drill before operating the MaxJax.
- Failure to observe these warnings could result in severe injury or death.



### WARNING - Personal Safety Hazards

- Only qualified persons should operate the MaxJax.
- Wear eye protection and hard hat when using this tool.
- Do not use tool while tired or under the influence of drugs, alcohol, or medication.
- Keep body parts and loose clothing away from moving parts.
- Always follow operating procedures.

FAILURE TO OBSERVE THESE WARNINGS CAN RESULT IN SEVERE INJURY OR DEATH.

### WARNING – Entanglement Hazard

- Do not operate this tool while wearing loose-fitting clothing. Retain long hair.
- Keep hands away from roller bearings & axel pipe while reels are on MaxJax. Could pinch or crush a hand.

FAILURE TO OBSERVE THESE WARNINGS CAN RESULT IN SEVERE INJURY OR DEATH.

### WARNING – Tipping

- Place MaxJax on level ground.

FAILURE TO OBSERVE THIS PRECAUTION CAN RESULT IN INJURY OR PROPERTY DAMAGE.

### WARNING – Tool Use Hazards

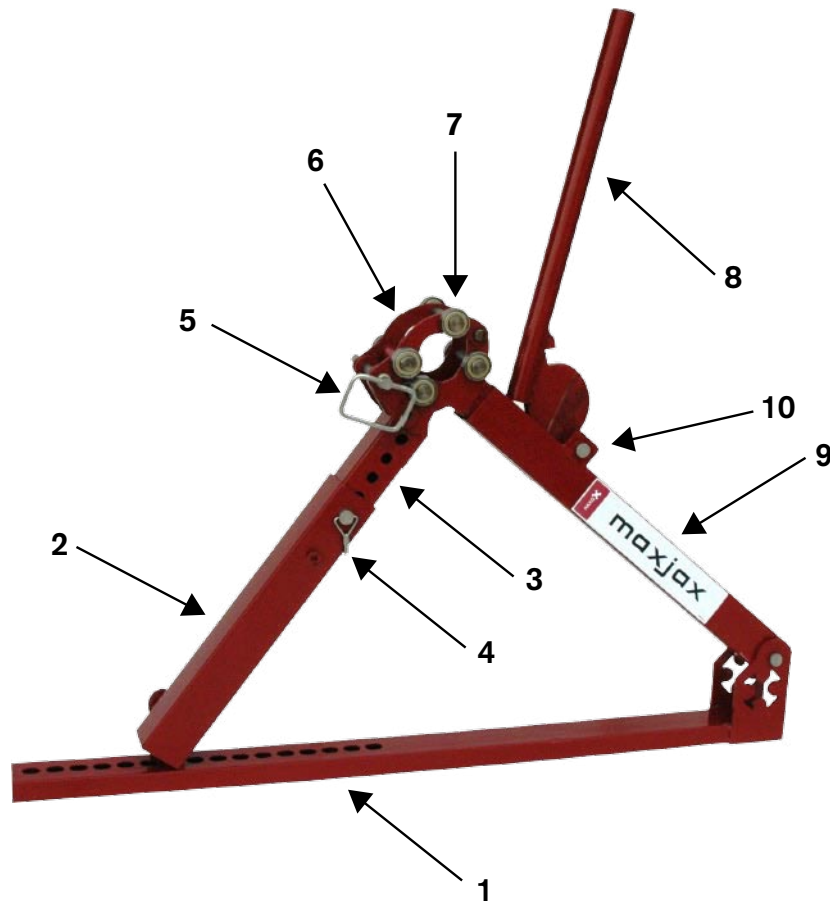
- Use this tool for manufacture's intended purpose only. Use other than that which is described in this manual can result in injury or property damage.
- Inspect all aspects of the wire pull to ensure safety.
- Only qualified personnel should use pulling equipment.

## DESCRIPTION OF OPERATION

MaxJax is a unique wire jack that will quickly set up and lift reels of wire safely and efficiently without the hassle of conventional jacks. MaxJax breaks down to a compact package for easy storage and transportation. When ready to use simply fold out and within a minute it's ready to pull wire. Lifting reels off the ground is easy with our patent pending Max lever and the enclosed roller bearings makes pulling wire off the MaxJax simple a safe.

## IDENTIFICATION

1. Base Leg
2. Telescoping Arm
3. Front Arm
4. Clevis Pin
5. Hitch Pin
6. Upper Jaw
7. Encased Bearings
8. Max Lever
9. Back Brace
10. Needle Roller



## SETUP AND OPERATION

### Putting Puller Together

1. Always wear gloves and eye protection when working with MaxJax.
2. Use only a 1 1/2" or 2" ridged conduit as an axel.
3. Thread conduit axel through wire reel.
4. Place MaxJax with the Base Leg (1) on the ground.
5. Lift the Rollers and swing out the Front Arm (3) and set in desired hole slot on the Base Leg (1)
6. Raise Max Lever (8) so that it is pointing straight upward.
7. Open Upper Jaw (6) by pulling out Hitch Pin (5) and swinging open Upper Jaw.
8. Raise MaxJax to highest possible height by adjusting the Base Leg holes (1) and the Telescoping arm (2).
9. Close Upper Jaw (6) on conduit by replacing Hitch Pin (5).
10. Push down on Max Lever (8) until lever is parallel with Back Brace (9).
11. Repeat Steps 3-10 with additional MaxJax.
12. Begin pulling off wire.

### TROUBLE SHOOTING

- For unlevel surfaces roll the lower side of the wire spool onto something to give it a little more height allowing the Maxjax to adjust to a more level height.
- You may want to have an axel that extends at least 6 inches past the Upper Jaw rollers.
- If need you may add a coupling onto the ends of the conduit axels.

### MAINTENANCE

As needed, apply a little grease on the telescoping back brace and the needle roller pin for easier lifting.

### SPECIFICATIONS

Length	36 inches
Width:	4 inches
Height:	7.5 inches
Height fully extended:	31 inches
Patent Numbers:	Pending



**LIMITED WARRANTY MaxJax**

Maxis Corporation (hereinafter Maxis) warrants all new MaxJax's covered by this agreement, when properly used, to be free from defects in material and workmanship under normal use and service for which it is intended for a period of one year from date of delivery by the dealer. Date of delivery shall be the date product is placed in possession of the user. **NORMAL WEAR FROM USE IS NOT A PART OF THIS WARRANTY.**

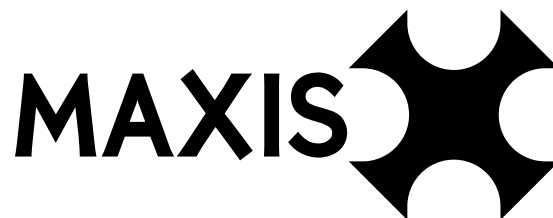
This Limited Warranty is extended to the original user only and is not transferable to, nor enforceable by, any other person. Maxis will replace free of charge any part(s) of the product found to be defective when such part(s) is returned to Maxis at the address shown below, freight prepaid. If the part(s) is found to be defective, Maxis will refund freight charges paid by you in returning the defective part(s) and prepay replacement part(s) freight charges. Maxis will not be responsible for more than replacement of any defective part(s) and standard freight charges (parcel post or UPS Ground Rate) of any part(s) found to be defective.

**THIS IS THE EXCLUSIVE REMEDY. MAXIS SHALL NOT BE RESPONSIBLE OR LIABLE FOR ANY INCIDENTAL OR CONSEQUENTIAL DAMAGES RESULTING FROM ANY DEFECTS COVERED BY THIS WARRANTY OR ANY IMPLIED WARRANTY APPLICABLE TO THE PRODUCT INCLUDING, BUT NOT LIMITED TO, PROPERTY DAMAGE, LOSS OF USE OF PRODUCT, LOSS OF TIME, LOSS OF PROFITS, INCONVENIENCE, COMMERCIAL LOSS, LABOR COSTS, SERVICE TRIPS AND MILEAGE.**

Some states do not allow the exclusion or limitation of incidental or consequential damages, so the above limitation or exclusion may not apply to you. This warranty shall not apply to any product or part of any product which has been altered elsewhere than at the place of manufacture.

**ANY IMPLIED WARRANTIES APPLICABLE TO THE PRODUCT, INCLUDING IMPLIED WARRANTIES OR MERCHANTABILITY AND FITNESS FOR A PARTICULAR PURPOSE, ARE EXPRESSLY LIMITED IN DURATION TO THE TERM OF THE WARRANTY (ONE YEAR FROM DATE OF DELIVERY).**

Some states do not allow limitation on how long an implied warranty lasts, so the above limitation may not apply to you.



4838 E. Baseline Ste. 131  
Mesa, AZ 85206  
Phone: 480-633-9113  
Fax: 480-633-9114

[www.maxis-tools.com](http://www.maxis-tools.com)